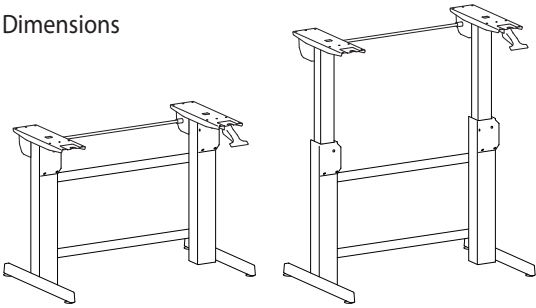
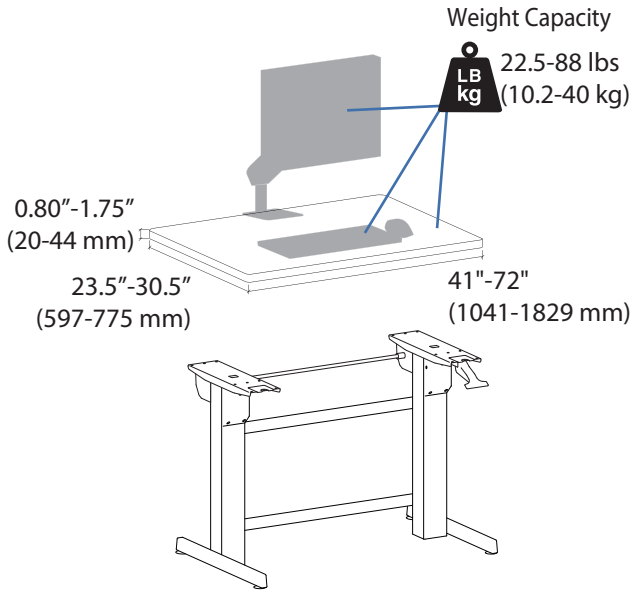
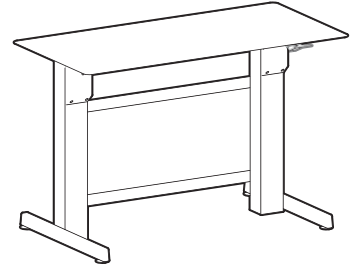


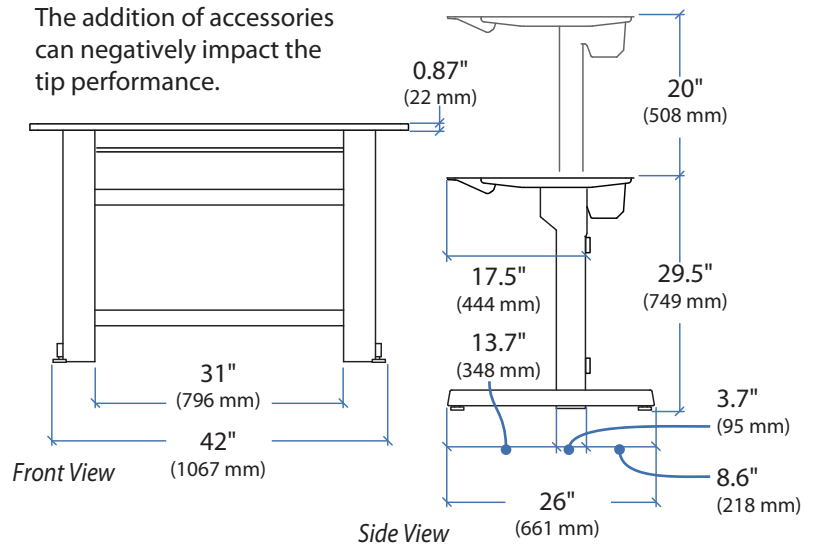
Dimensions



Wood Worksurface Weight Estimator	
Worksurface Thickness	Estimated Weight per square foot
0.80" (20 mm)	2.9 lbs (1.32 kg)
1.25" (32 mm)	4.5 lbs (2.04 kg)
1.75" (44 mm)	6.3 lbs (2.86 kg)

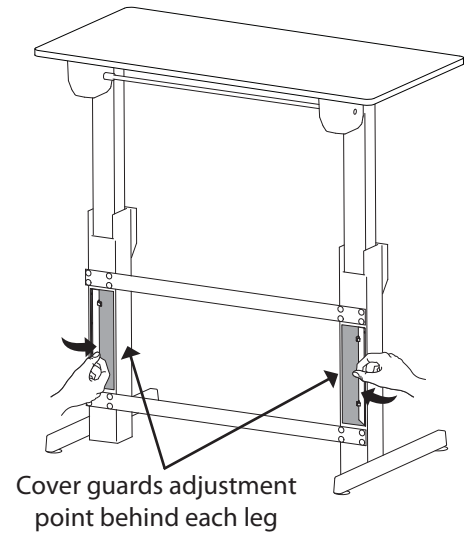
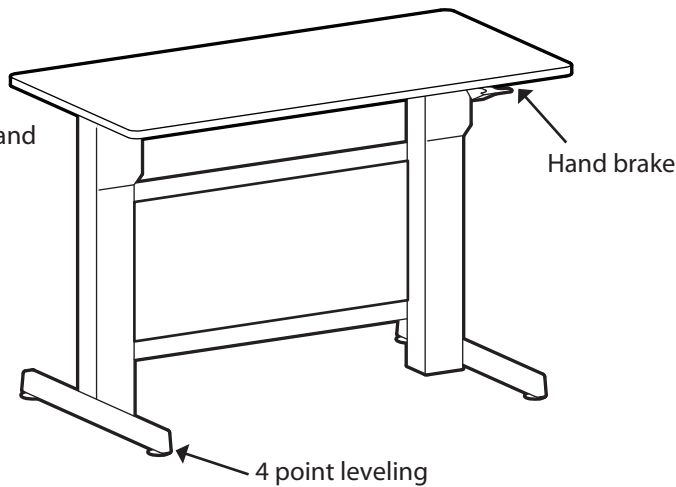


The addition of accessories can negatively impact the tip performance.



Features

Ergonomic Sit to Stand Height Adjustment



© 2013 Ergotron, Inc. rev. 08/26/2013 DIM-WorkFit-B-HD Content is subject to change without notification

Americas Sales and Corporate Headquarters

St. Paul, MN USA
(800) 888-8458
+1-651-681-7600
www.ergotron.com
sales@ergotron.com

EMEA Sales

Amersfoort, The Netherlands
+31 33 45 45 600
www.ergotron.com
info.eu@ergotron.com

APAC Sale

Tokyo, Japan
www.ergotron.com
apaccustomerservice@ergotron.com

Worldwide OEM Sales

www.ergotron.com
info.oem@ergotron.com

